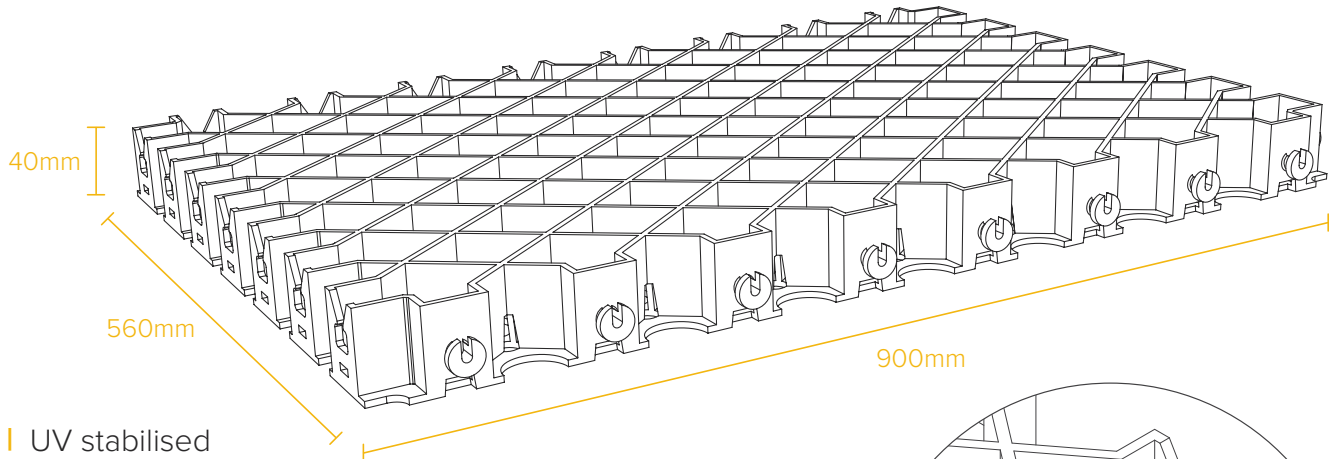


DIAMOND GRID

900mm x 560mm x 40mm

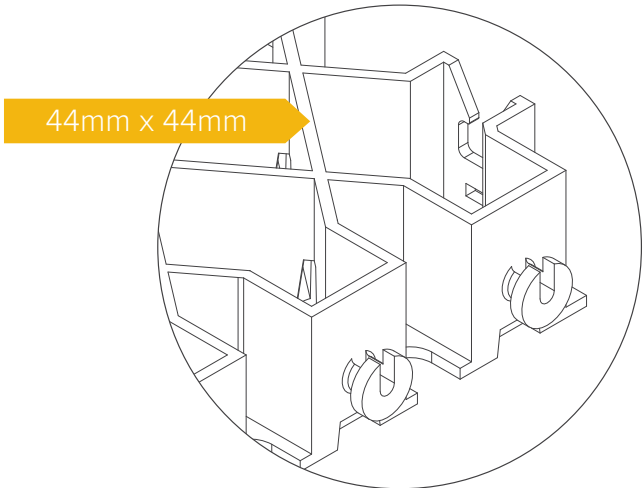


DIAMONDGRID™



- | UV stabilised
- | Relocatable
- | Do-It-Yourself
- | Interlocking system

Measurements	900mm W x 560mm L x 40mm H
Crush resistance (filled with gravel/ road base)	1000+ tonne m2*
Crush resistance (empty grid)	280 tonne m2*
Weight per grid	3.1kg
Fill ratio per grid	1 cubic metre of fill per 25sqm
Permeability	Up to 96%
Fill	Road base, gravel, pebbles, grass, soil, concrete, bitumen
Installation	Visit www.diamondgrid.com



THE DIAMOND GRID INTERLOCKING SYSTEM IS ROBUST AND EASY TO INSTALL.

Our classic grid size is suitable for most rural and domestic applications. Great for smaller surface areas that require stabilisation and reinforcement. Highly recommended for feed & water troughs, stable floors, muddy areas, day yards, pathways, drains, driveways, golf cart tracks, boat ramps and anywhere needing toughening up on your property or workplace.



Made from 100% recycled, UV treated polypropylene, Diamond Grid is ecologically friendly and highly durable. The product has been load tested by the Facility of Engineering and Surveying Centre of Excellence in Engineered Fibre Composites, University of Southern Queensland and found to withstand loads in excess of 280 tonnes per square metre when empty or over 1000+ tonnes crush resistance per m/2 when grids are filled.



AUSTRALIA
 PO BOX 587, ORMEAU QLD 4208
 +61 7 3209 9665 | info@diamondgrid.com

USA | LATIN AMERICA | SOUTH AFRICA

diamondgrid.com



DIAMONDGRID™